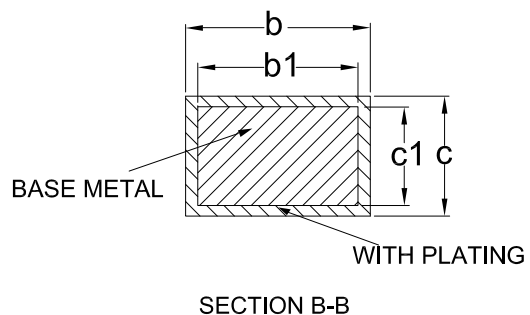


DETAIL: F



SYMBOL	MILLIMETER		
	MIN	NOM	MAX
A	—	—	1.60
A1	0.00	—	0.15
A2	1.35	1.40	1.45
A3	0.59	0.64	0.69
b	0.18	—	0.26
b1	0.17	0.20	0.23
c	0.13	—	0.17
c1	0.12	0.13	0.14
D	21.80	22.00	22.20
D1	19.90	20.00	20.10
E	15.80	16.00	16.20
E1	13.90	14.00	14.10
eB	21.05	—	21.25
eB1	15.05	—	15.25
e	0.50BSC		
L	0.45	—	0.75
L1	1.00REF		
θ	0	—	7°

Size(mm)	D2	E2
L/F Size(mil)		
220x220	5.60REF.	5.60REF.



正式文件  
不准复制  
下发日期  
22/12/21

Tianshui Huatian Technology Co., LTD.

REV.	Description	Signature	Date
Drafted By	CHEN Zhixiang	Verified By	FU Zhijie
Confirmed By	SUN Yali	Verified By	LIU Hongbo
Verified By	ZHENG Yongfu	Approved By	HE Wenhai

Title		eLQFP128L (1420 × 1.40) POD-2R	
DWG No.	HTFY1281420-2P	REF No.	JEDEC MS-026
Unit	mm	REV.	A
		Effective Date	2022/12/08