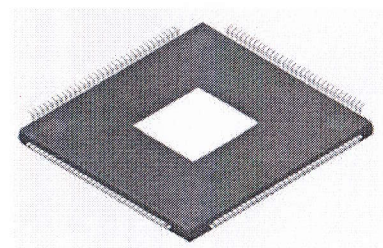
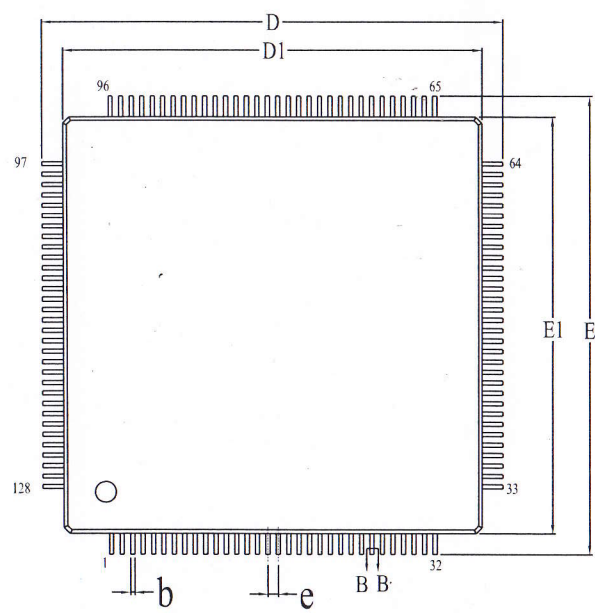
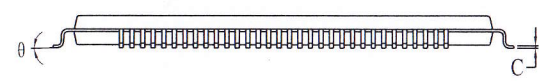
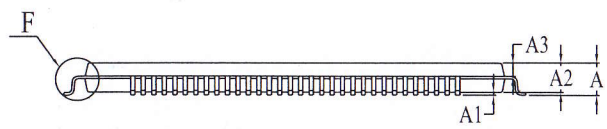


SYMBOL	MILLIMETER		
	MIN	NOM	MAX
A	—	—	1.60
A1	0.05	0.10	0.15
A2	1.30	1.40	1.50
A3	0.59	0.64	0.69
b	0.18	—	0.26
b1	0.17	0.20	0.23
c	0.13	—	0.17
c1	0.12	0.13	0.14
D	21.90	22.00	22.10
D1	19.90	20.00	20.10
E	21.90	22.00	22.10
E1	19.90	20.00	20.10
e	0.50 BSC		
L	0.45	0.60	0.75
L1	1.00 REF		
θ	0	—	7°



L/P载体尺寸(mm)	D2	E2
402×402	10.00 REF	10.00 REF



Tianshui Huatian Technology Co., LTD.

正式文件  
不准复印  
16年7月28日

△	update the tolerance b,c	WANG Xia	2016/06/22	Title	
REV.	Description	Signature	Date	eLQFP128L (2020×1.4) POD	
Drafted By	WANG Xia	Verified By	LIU Hongbo	DWG No.	REF No.
Confirmed By	CHEN Zhixiang	Verified By	HE Naihui	HTFY1282020	JEDEC MS-026D
Verified By	HE Wenhai	Approved By	LU Dailie	Unit mm	REV. B
				Effective Date 2016/06/22	